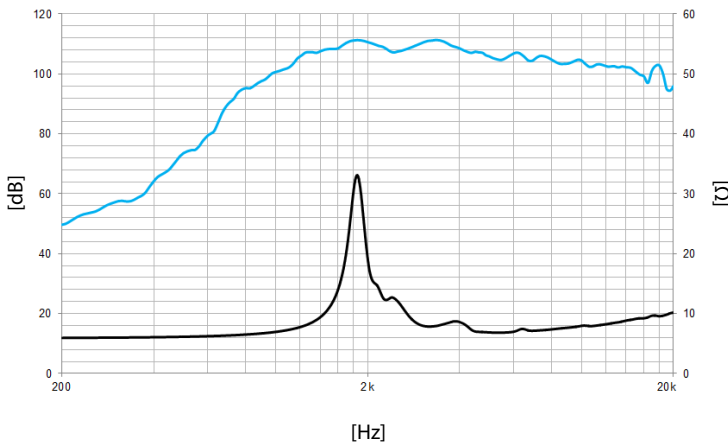
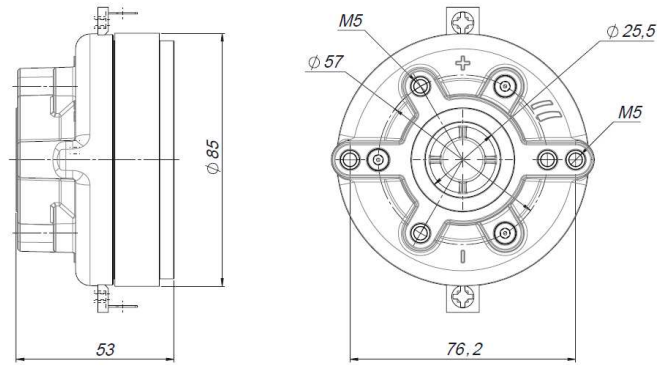


KEY FEATURES

- 1" (25,4 mm) exit high frequency compression driver
- 1" (25,4) voice coil diameter
- 60 W program power above 2 kHz
- Sensitivity: 109 dB (1W / 1m)
- PEI polymer diaphragm
- Ultra lightweight edgewound aluminium voice coil
- Low weight ferrite motor structure
- Specially designed for compact size and high performance systems



Note: On axis frequency response measured coupled to TD-164 horn in anechoic chamber, 1W @ 1m



TECHNICAL SPECIFICATIONS

Throat diameter	25,4 mm	1 in
Rated impedance	8 Ω	
Minimum impedance	6,8 Ω	
D.C. Resistance	5,9 Ω	
Power capacity*	30 W _{AES} above 2 kHz	
Program power	60 W above 2 kHz	
Sensitivity**	109 dB 1W / 1m @ Z _N coupled to TD-164	
Frequency range	1 - 20 kHz	
Recommended crossover	2 kHz or higher (12 dB/oct min)	
Voice coil diameter	25,4 mm	1 in
Flux density	1,75 T	

Notes:

* The power capacity is determined according to AES2-1984 (r2003) standard. Program power is defined as the transducer's ability to handle normal music program material.

** Sensitivity was measured at 1m distance, on axis, with 1W input, averaged in the range 2 - 7 kHz

MOUNTING INFORMATION

Overall diameter	85 mm	3,34 in
Depth	53 mm	2,09 in
Mounting	Three M5 threaded holes, 120° apart on 57 mm (2,24 in) diameter circle Two M5 threaded holes, 180° apart on 76,2 mm (3 in) diameter circle	
Net weight	0,8 kg	1,8 lb
Shipping weight	0,9 kg	2,0 lb